

HSA.NODE WIRELESS REMOTE NODE

INTERIOR LIGHTING CONTROLS

OVERVIEW

The HSA.NODE allows for wireless communication between luminaires, standalone controllers and all HOLOSAir reporting devices.

features

- Grey IP56 housing.
- Links to other HOLOSAir devices for wireless communication. Sensor version available to add additional presence detection points.
- Standard and High Inrush Relay versions available. Supplied as standard without.
- Configure light levels, fade rates and sensor parameters using an Android Tablet.
- Receives messages from linked devices, dims and switches connected appliances accordingly.

inputs

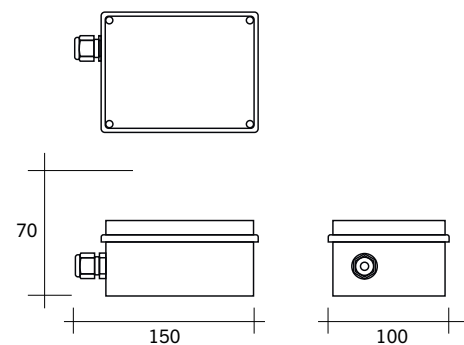
- 230v Switch Live Input (switch, PIR, microwave, photocell etc).
- HOLOSAir PIR.
- HOLOSAir Daylight Sensor.
- Self-test Emergency.

outputs

- 230v Switch Live.
- Volt Free Relay (NO/NC).
- DSI / DALI / 1-10v / PWM.

technical data

- Ta: -20° to +50° and Tc: 65°.
- IP56.
- <0.5w Standby Power.



part codes	description
HSA.NODE	IP56 housing with integral Antenna Up Node.

HOLOSAir

Holophane Europe Limited. Bond Avenue, Bletchley, Milton Keynes MK1 1JG United Kingdom
Telephone: +44 (0)1908 649292 UK Fax: +44 (0)1908 367618 International Fax: +44 (0)1908 363789
E-mail: info@holophane.co.uk www.holophane.co.uk

February 2023


HOLOPHANE[®]
An Acuity Brands Company